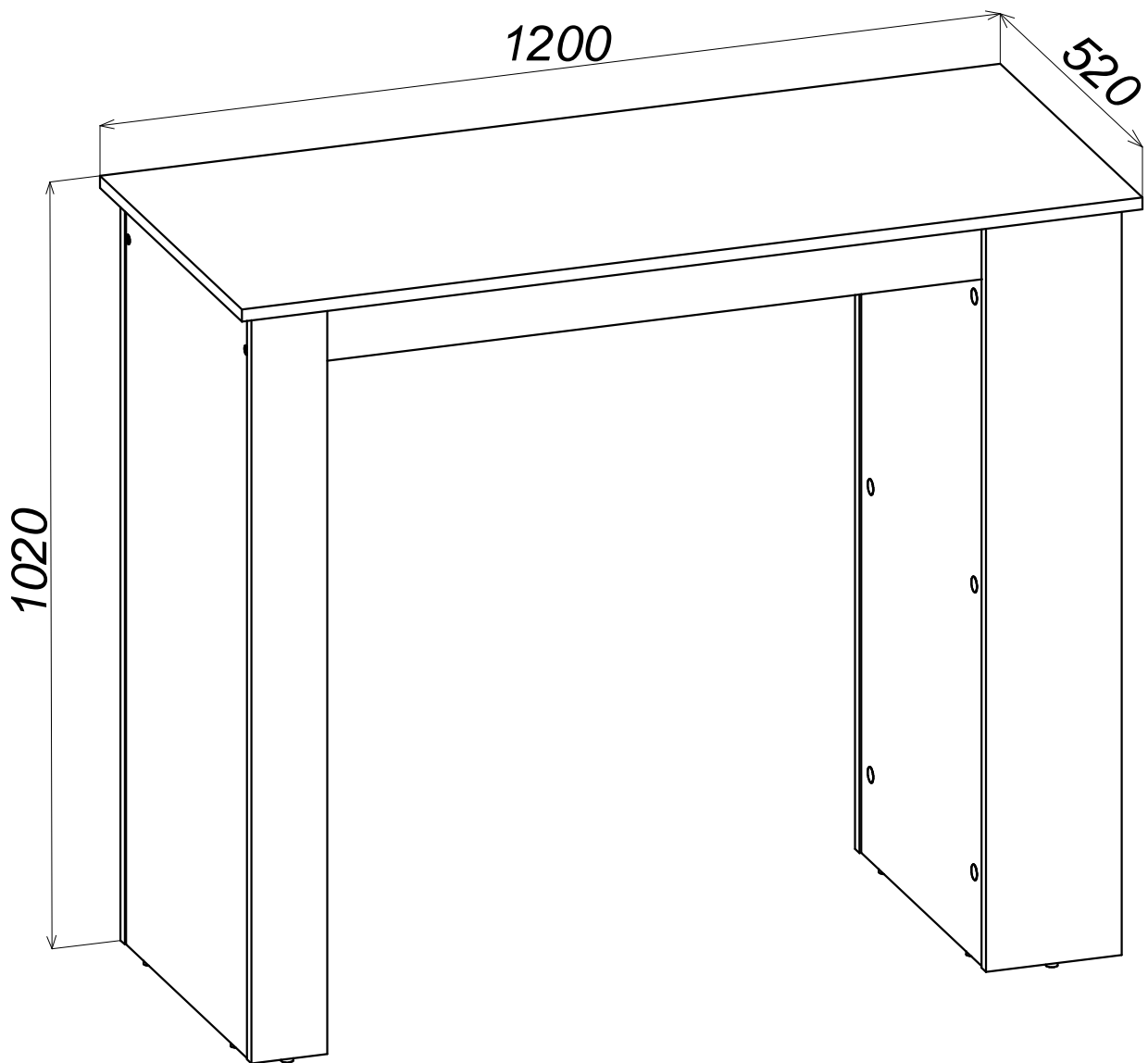
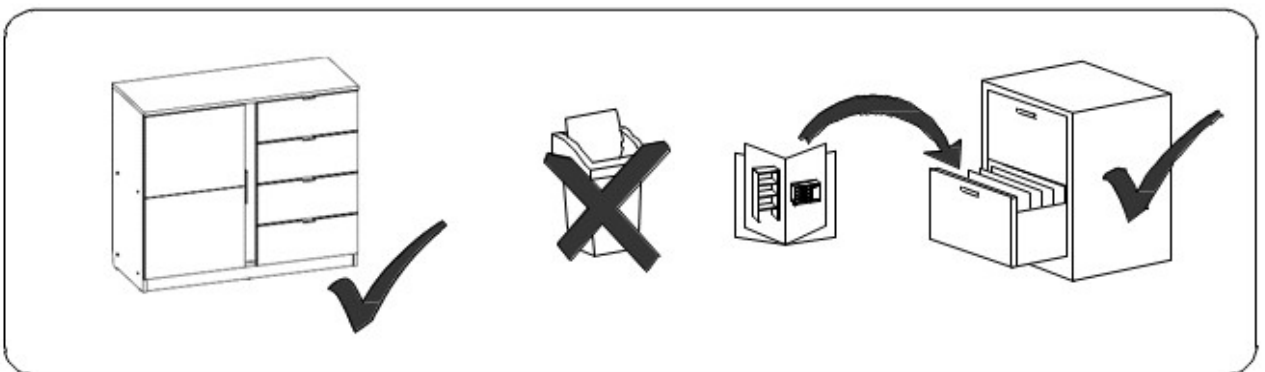
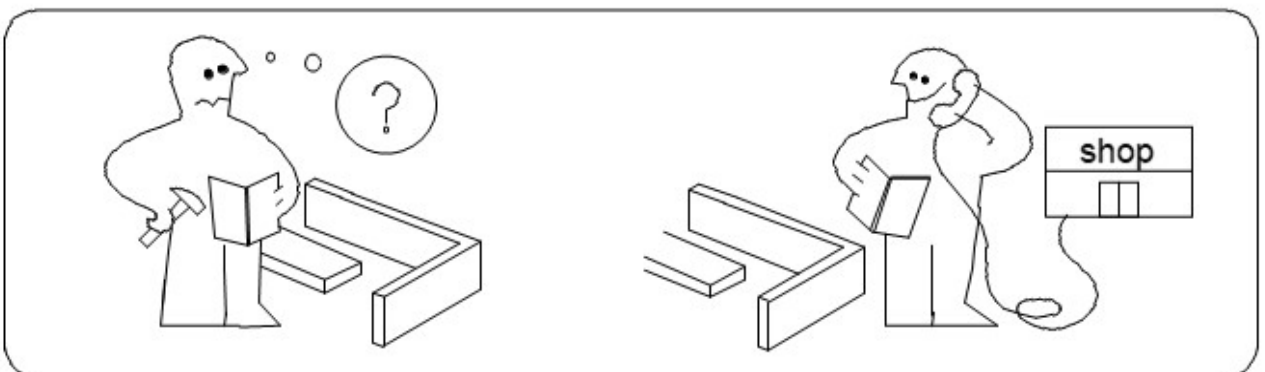
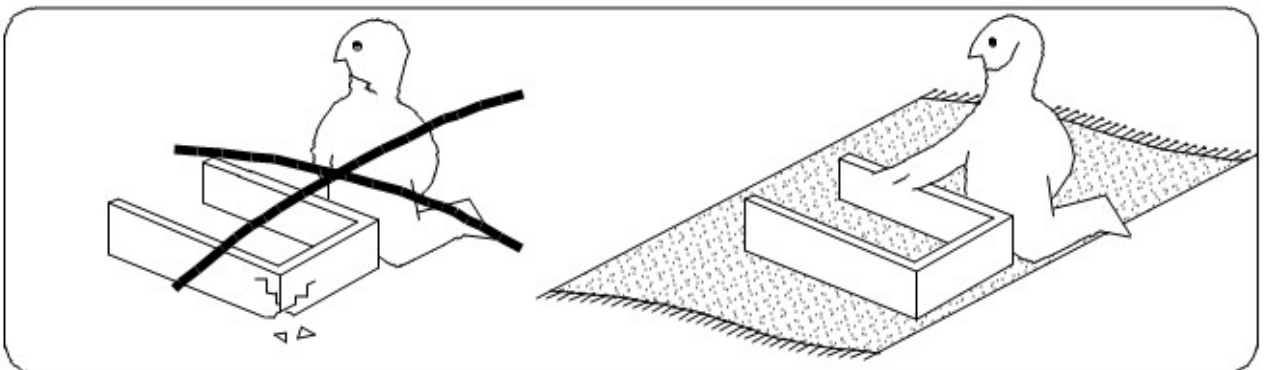
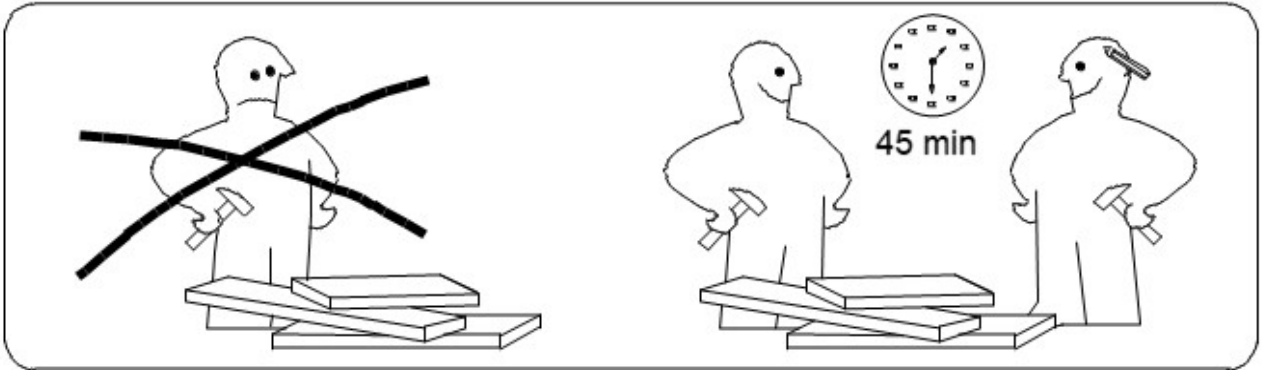
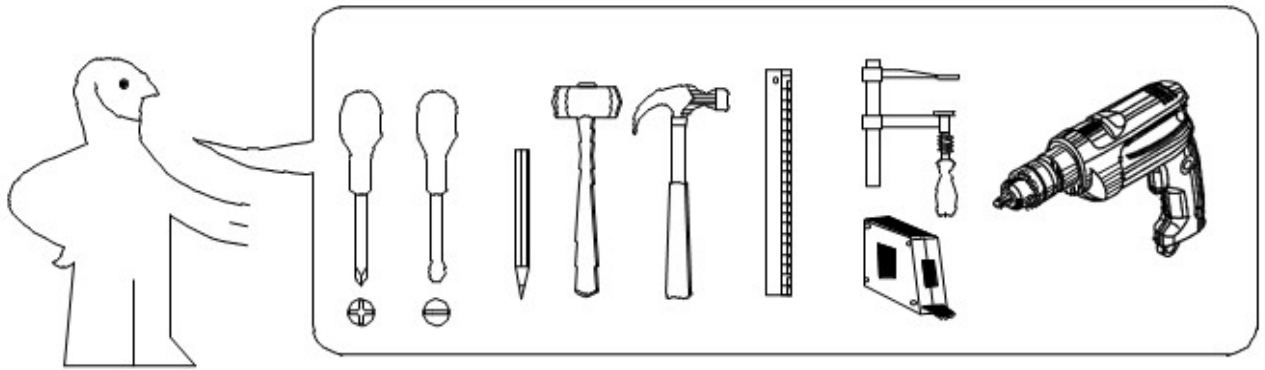
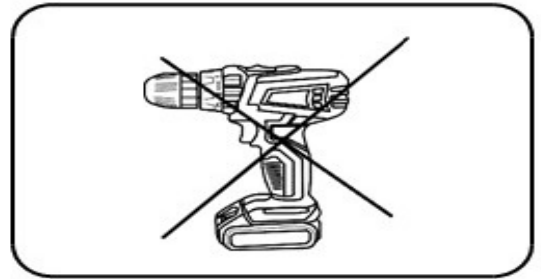
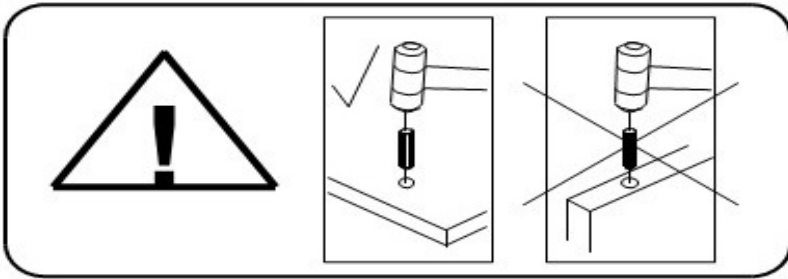










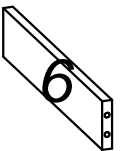
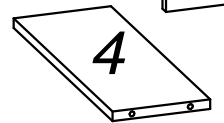
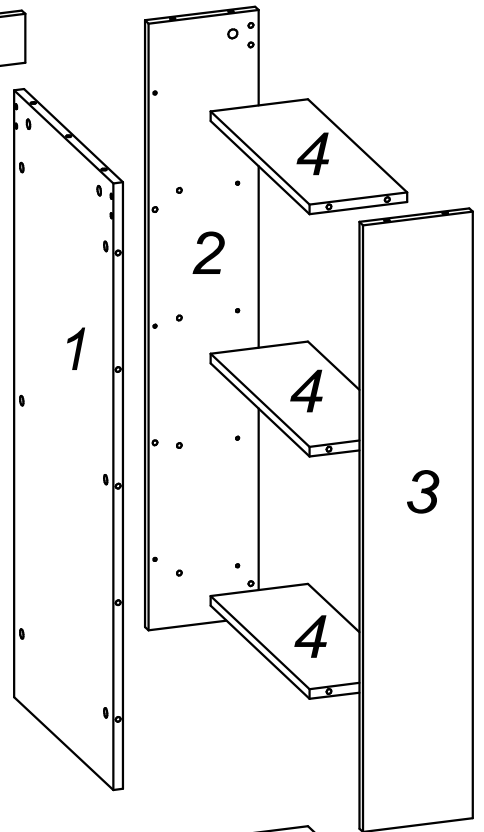
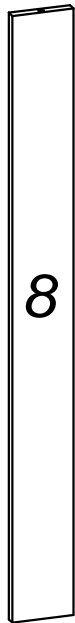
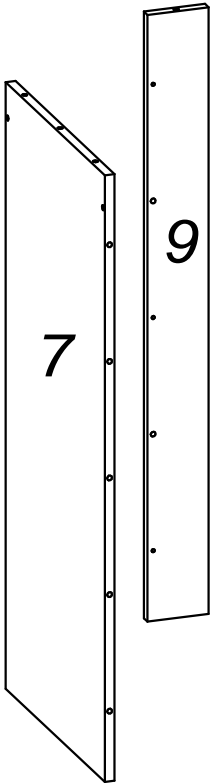
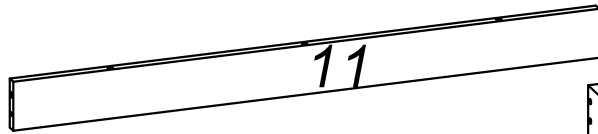
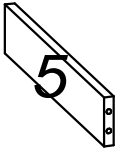
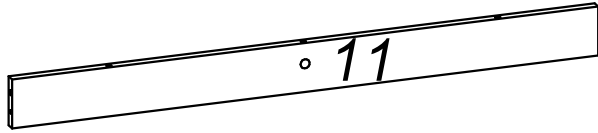
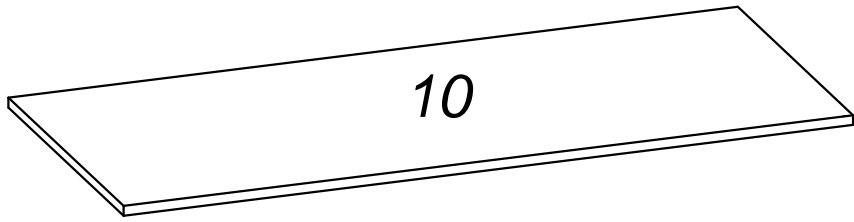
Маса Шелин Бар



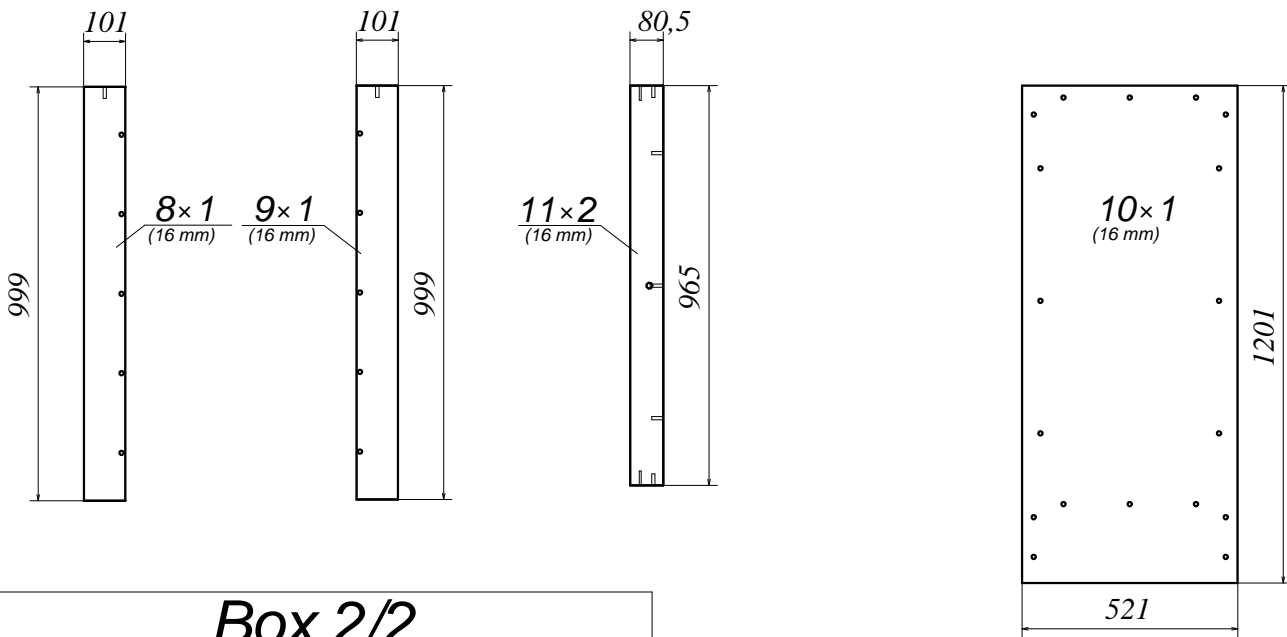
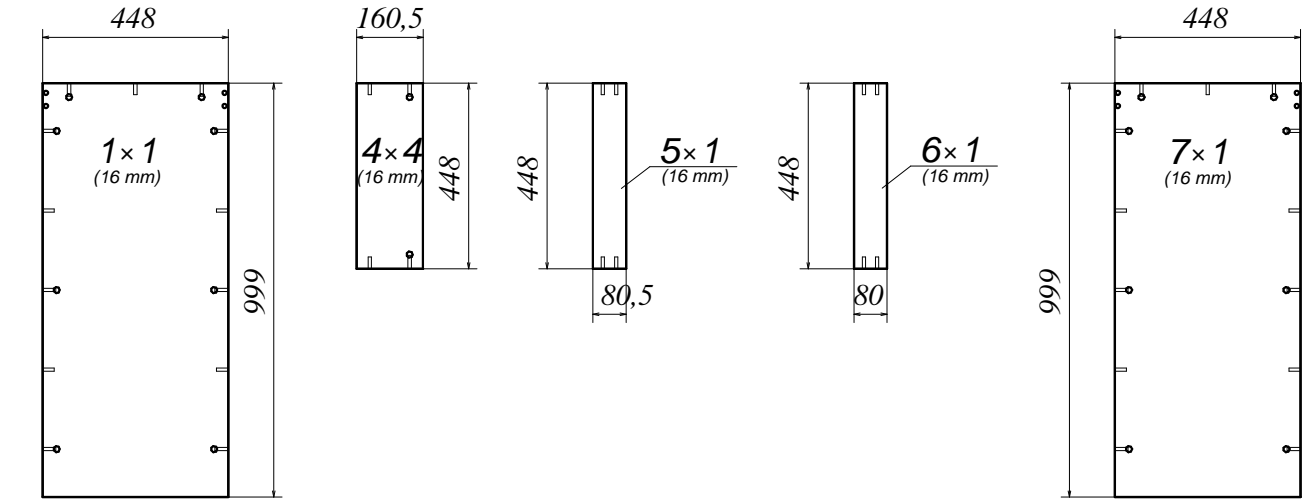




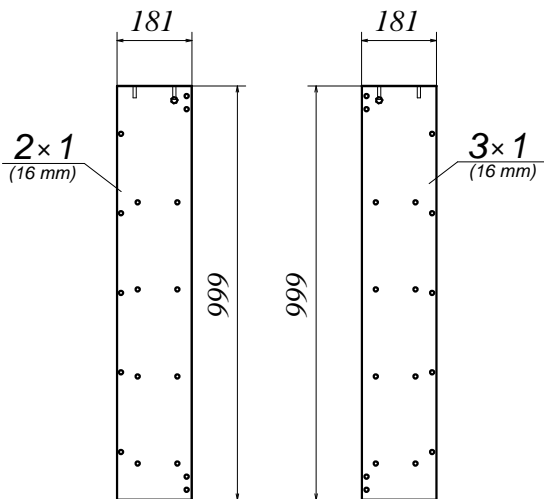
 <p>$\varnothing 6,3 \times 50 \text{ mm}$</p> <p>A1 x 4</p>	 <p>$\varnothing 12 \text{ mm}$</p> <p>A2 x 4</p>	 <p>4 mm</p> <p>A3 x 1</p>	 <p>$\varnothing 15 \times 12 \text{ mm}$</p> <p>B1 x 28</p>	 <p>$\varnothing 5 \times 44 \text{ mm}$</p> <p>B2 x 28</p>
 <p>$\varnothing 20 \text{ mm}$</p> <p>B3 x 28</p>	 <p>$\varnothing 8 \times 36 \text{ mm}$</p> <p>G x 38</p>	 <p>$\varnothing 15 \text{ mm}$</p> <p>N x 8</p>		



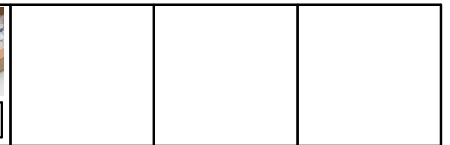
Box 1/2



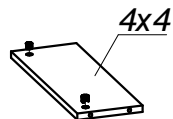
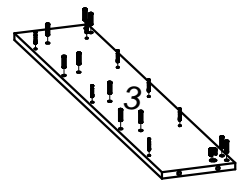
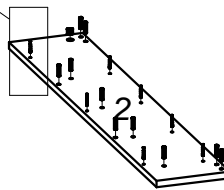
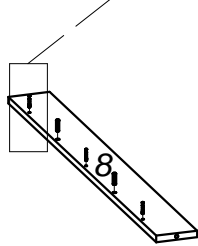
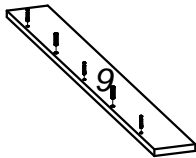
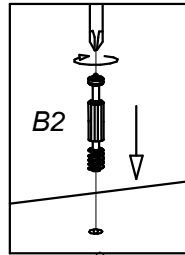
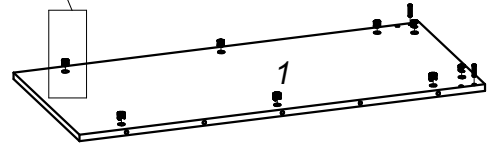
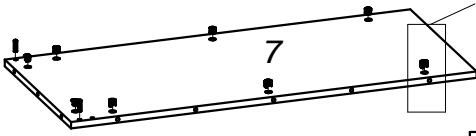
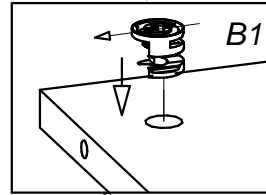
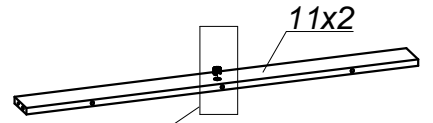
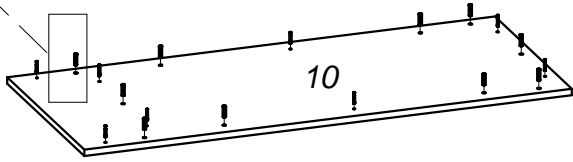
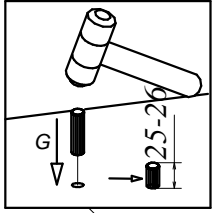
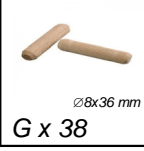
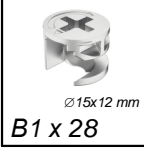
Box 2/2



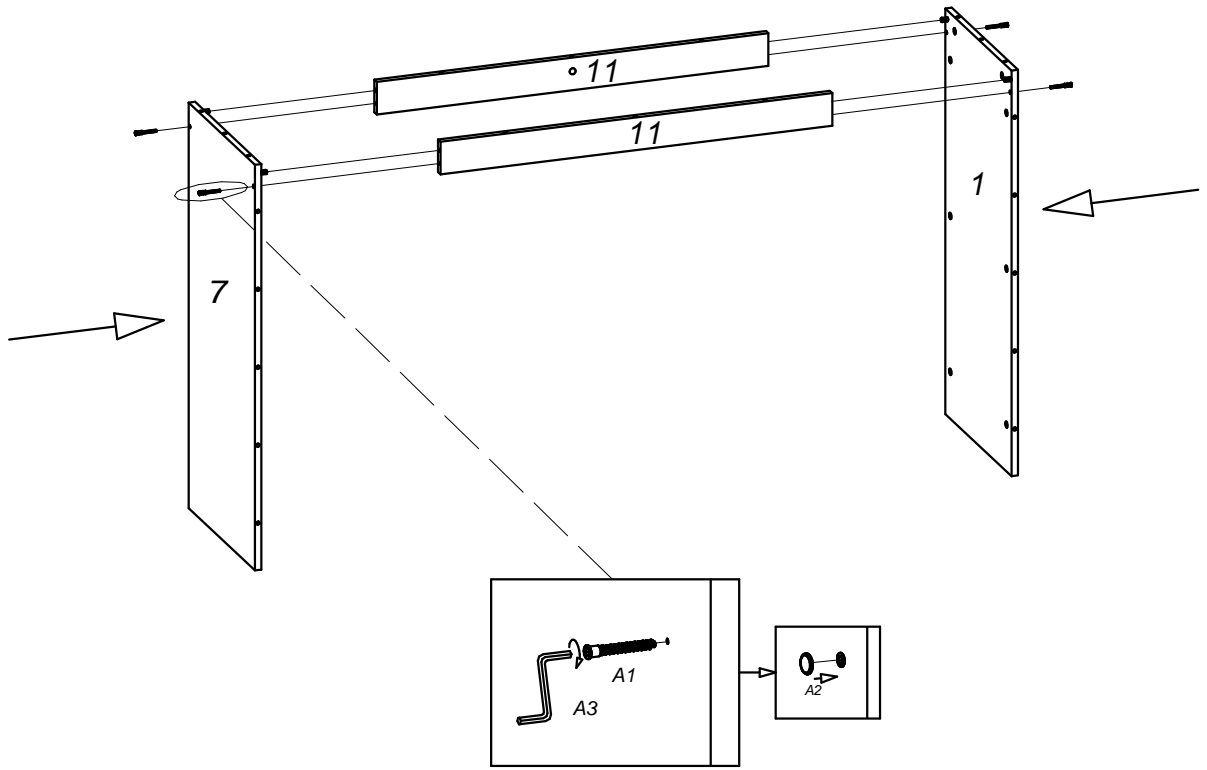
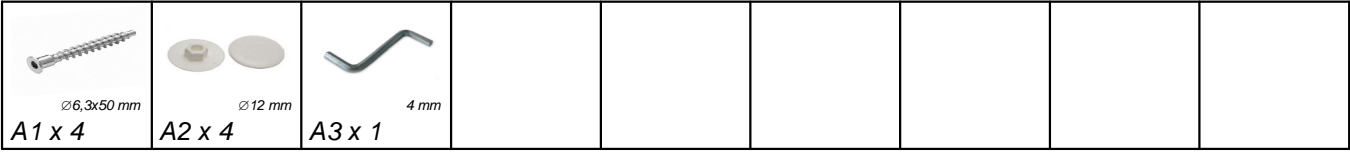
Fittings & Tools



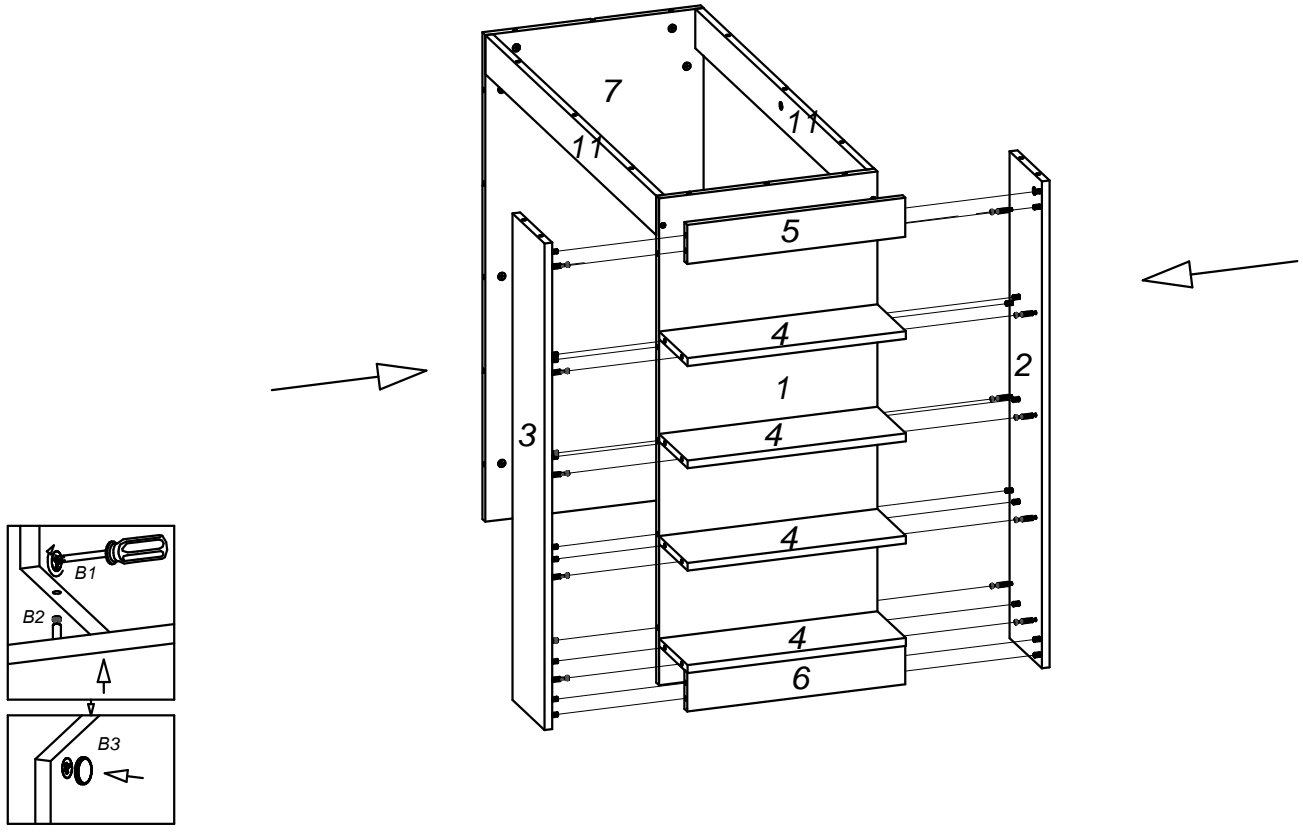
1



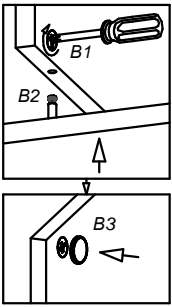
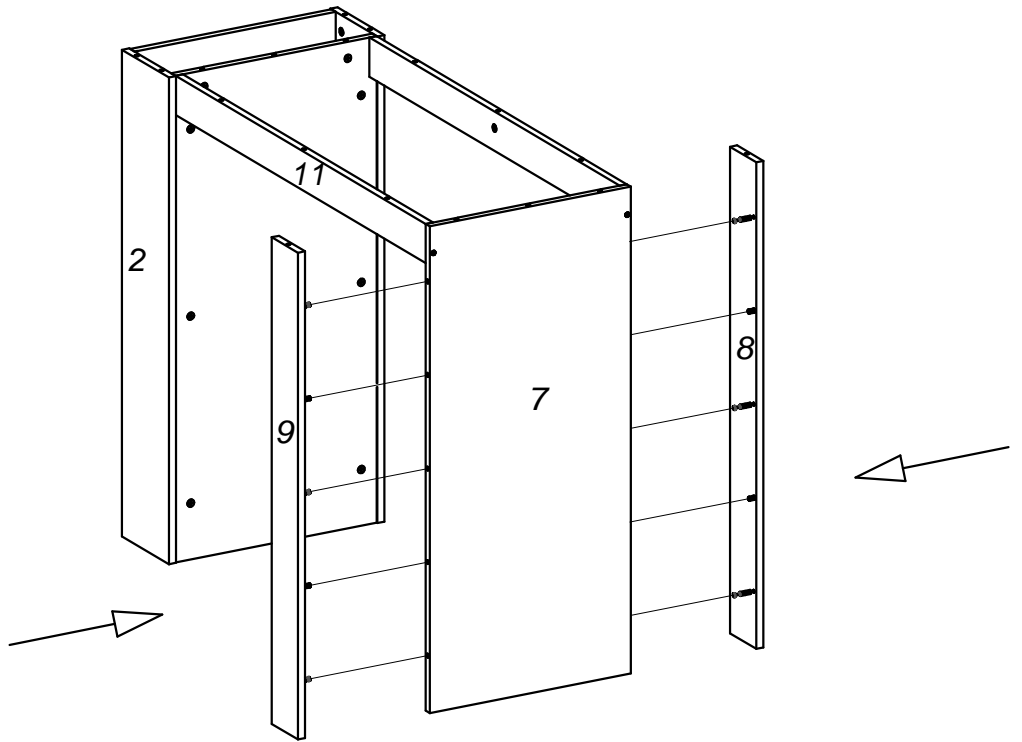
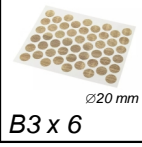
2



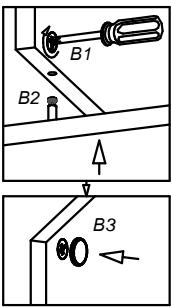
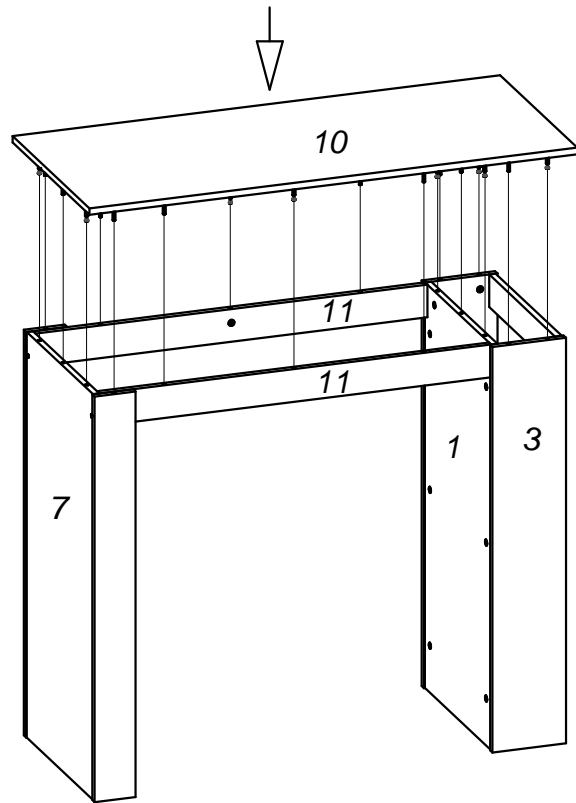
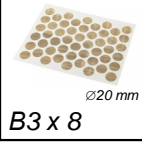
3



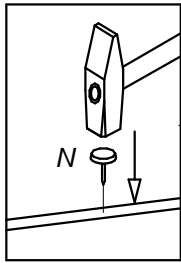
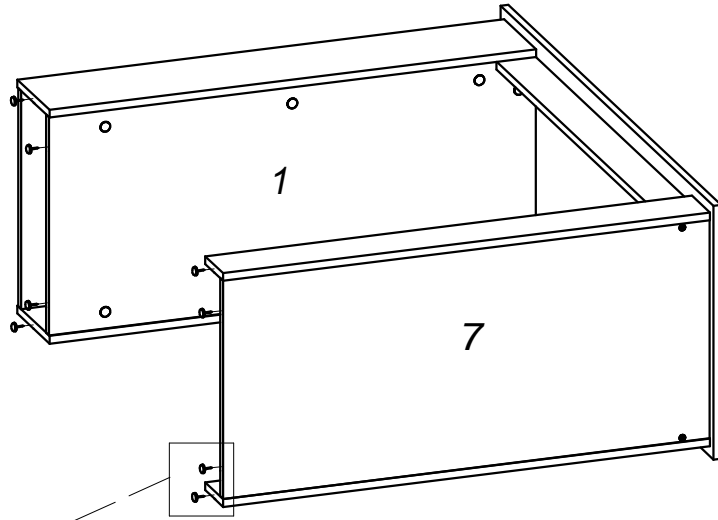
4



5



6



7

